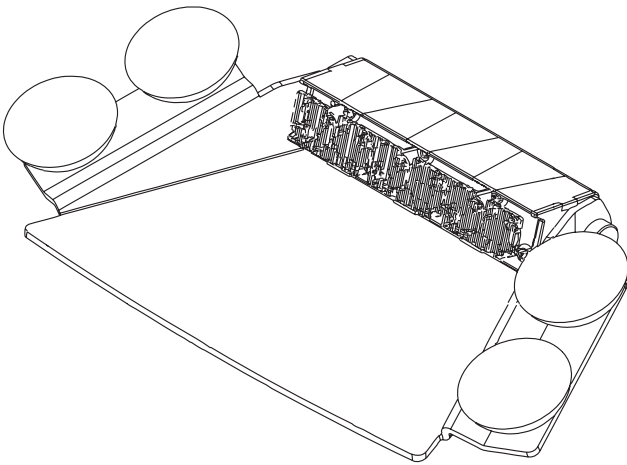


Mounting Specifications:

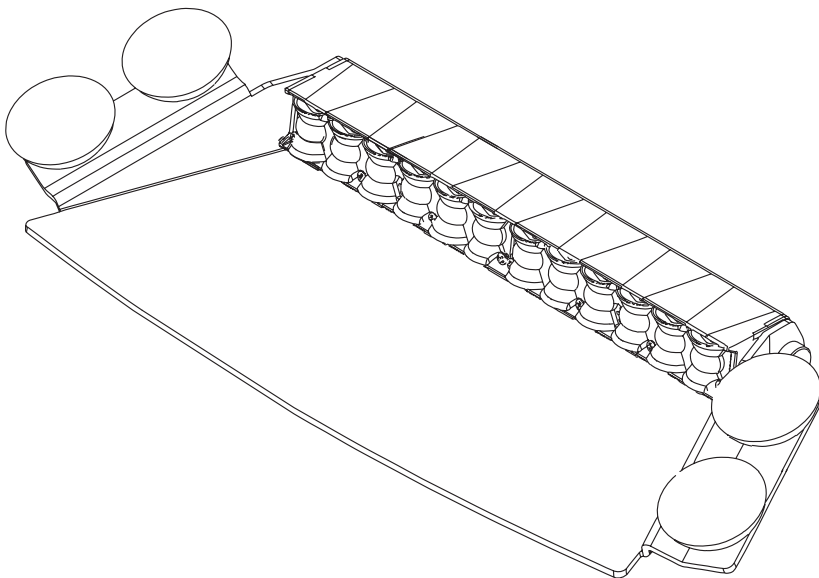
Make sure the suction cups have been cleaned with alcohol to remove all residue. Stick lights onto the interior of the vehicle dash window.

Product Type:

1X



2X



Color Specifications:

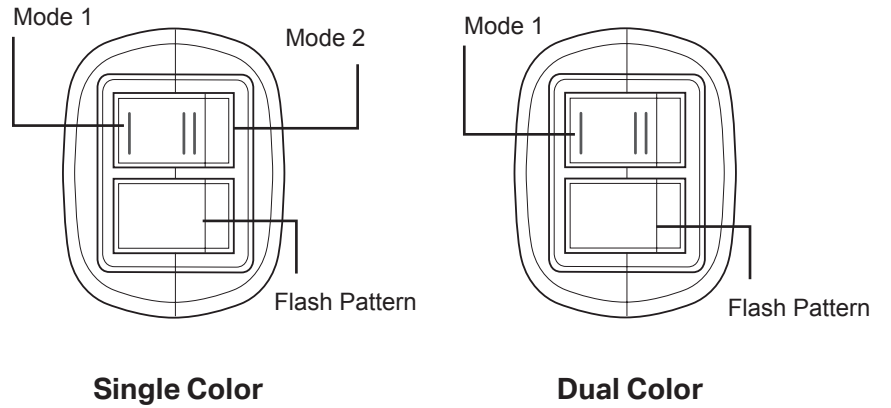
- Red Blue Amber White Green

Wiring Type:

- Hardwire Cigarette Plug

Cigarette plug option:

To operate the cigarette plug option, plug in the provided lighter plug into the vehicle's cigarette lighter plug outlet. Turn the unit on with the On/Off switch and change patterns with the momentary flash pattern changer.



Hardwire option:

To operate the hard wire option, connect the black, 12V(-) wire to ground and the red, 12V(+) wire to an activated switch. To change patterns, tap the green flash pattern changer wire to the 12V(-) ground wire. To activate mode 2, connect the white wire to an activated 12V(+) switch.

