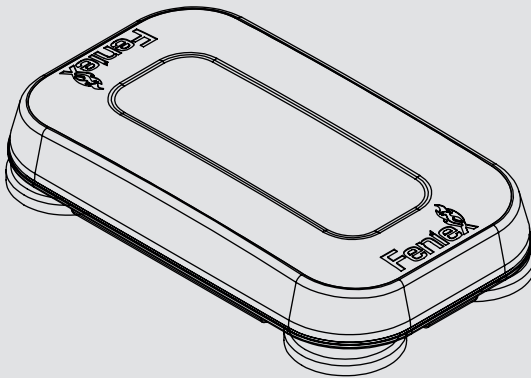


# Fusion Mini-X Light Bar Instruction Manual

V.1



## FUSION MINI-X

**Model # - F-6114, F-6114D,  
F-6114P, F-6114PD**

This instruction manual serves as a guide for the **Fusion Mini-X**.

**IMPORTANT!** Please read through all provided instructions and any listed warnings in regards to product use.



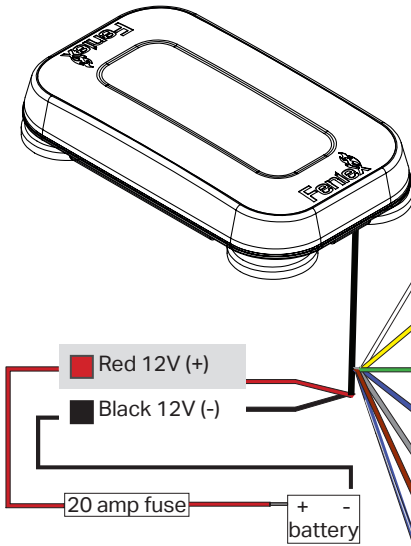
**Feniex Product Copyrights** This price List and the mentioned Feniex products include or describe copyrighted Feniex material. Laws in the United States and other countries preserve for Feniex Industries and its licensors certain exclusive rights for copyrighted material, including the exclusive right to copy, reproduce in any form, distribute and make derivative works of the copyrighted material. Accordingly, any copyrighted material of Feniex and its licensors contained herein or in the Feniex products described in this Price List may not be copied, reproduced, distributed, merged or modified, transmitted, transcribed, stored in retrieval system or translated into any language or computer language, in any form or by any means, without prior written permission of Feniex Industries, Inc. Feniex and the stylized Feniex logo are registered in the U.S. Patent & Trademark Office.

**Wiring Instructions**

Fusion™ Hardwire..... 4  
Fusion™ Cigarette Plug..... 5

**Mounting Instructions**

Permanent Mount..... 9  
Magnet Mount..... 9



### Fusion Mini Wiring Diagram

Wire Color:	Single Color:	Dual Color:
White	Takedown	Takedown
Yellow	Flash Mode	Flash Mode
Green	TD Flashing	Mode Two
Blue	Left Arrow	Left Arrow
Gray	Right Arrow	Right Arrow
Brown	Mode One	Mode One
Blue/ Gray	Center Out	Center Out

Step 1: In order to activate the unit, extend the red wire to the 12V(+) post of the vehicle's battery. Extend the black wire to the ground post of the vehicle.

Step 2: To turn the Fusion lightbar on, connect the brown wire to a 12V(+) switch.

Step 3: To change flash patterns, momentarily connect the yellow wire on a 12V(+) source.

Step 4: For takedown steady functionality, connect the white wire to a 12V(+) post (switch) or connect the green wire to a 12V (+) post to engage takedown flashing mode for single color systems..

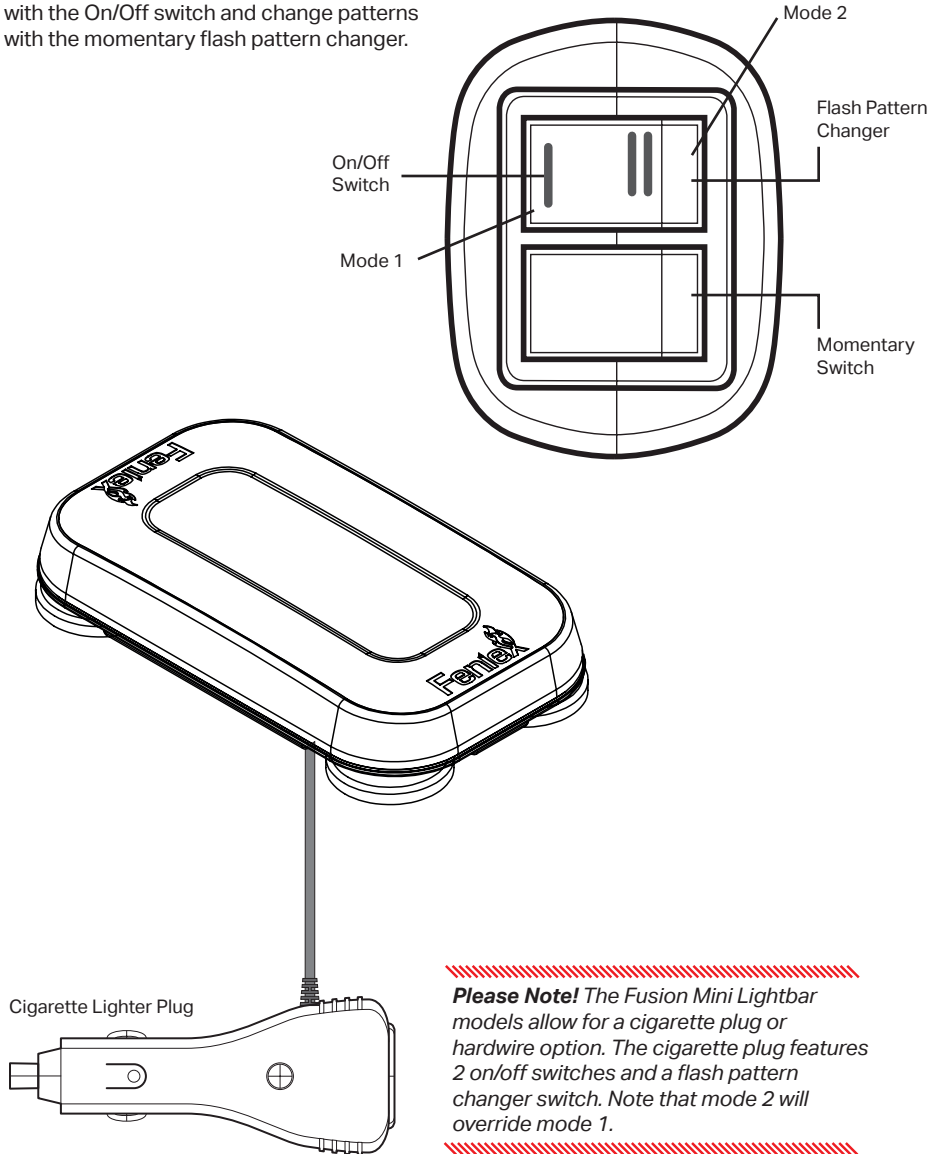
Step 5: To activate mode 2 for dual color systems; Connect the green wire to a 12V+ post.

**Please Note!** Takedown functions will not be provided unless otherwise requested at time of order.

**Please Note!** If the build option includes a cigarette plug, this illustration does not apply. (Please reference page 6)

**Please Note!** This only applies if takedown functions are programmed. Takedown steady function will override takedown flashing mode.

To operate the cigarette plug option, plug in the provided lighter plug into the vehicle's cigarette lighter plug outlet. Turn the unit on with the On/Off switch and change patterns with the momentary flash pattern changer.



**Please Note!** The Fusion Mini Lightbar models allow for a cigarette plug or hardwire option. The cigarette plug features 2 on/off switches and a flash pattern changer switch. Note that mode 2 will override mode 1.

## Permanent Mount Installation:

**Important!** Installing the permanent brackets will involve drilling holes on the platform of the vehicle.

**Note:** The permanent mount bracket is adjustable and can be moved in or out.

Step 1: Place the permanent bracket on the platform and mark the first hole for drilling.

Step 2: Drill the marked hole.

Step 3: Attach the permanent bracket to the platform with a self-tapping screw (user provided).

Step 4: Mark the second hole for drilling on the opposite corner of the bracket. Secure the bracket using a self-tapping screw on the drilled hole.

Step 5: Mark and drill the remaining 2 holes and secure the bracket with self-tapping screws.

Item #:	Description:
---------	--------------

1	Permanent Mount Bracket
---	-------------------------

## Magnet Mount Installation:

**Please Note!** If magnet mount was purchased, no mounting instructions are required for installation.

The Fusion Mini wire harness may be ran through the gasket of the door or by drilling a hole in the vehicle's roof.

If the wire harness is installed in the door gasket, ensure the vehicle's door will close without any interference.

Item #:	Description:
---------	--------------

2	Magnetic Foot
---	---------------

